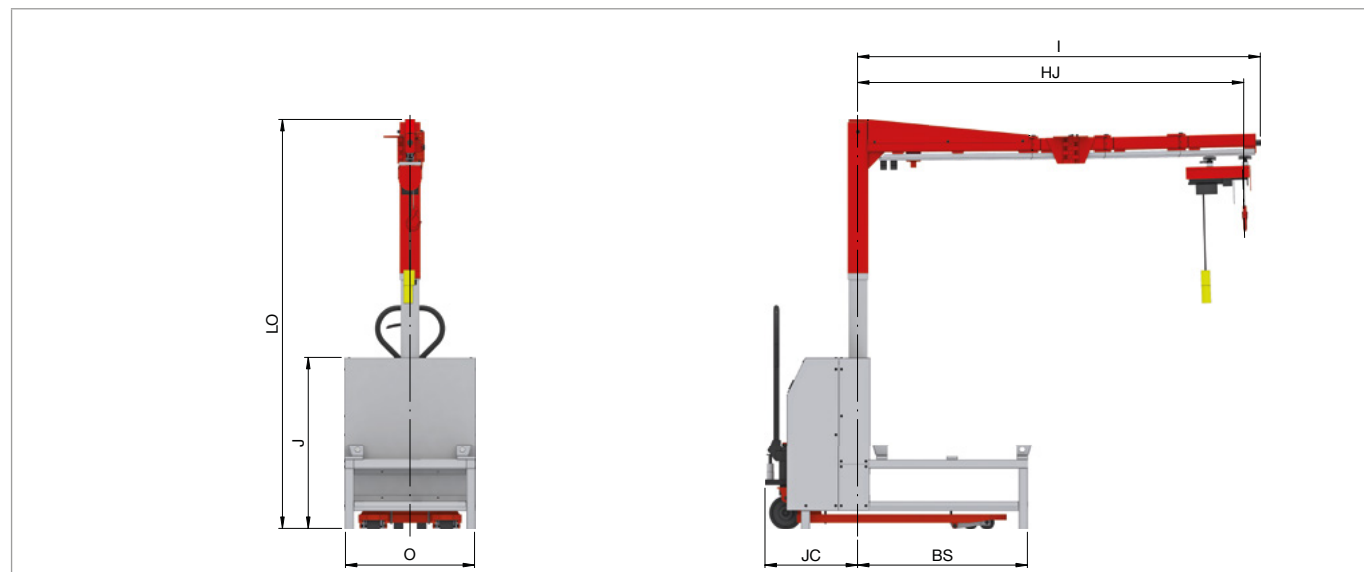




Set-up hoist in action

Set-up hoist



Total length [mm]	I	2184
Height [mm]	LO	2042 – 2412
Width [mm]	O	704
Effective length [mm]	HJ	2094
Length 2 [mm]	BS	921
Length 3 [mm]	JC	502
Height [mm]	J	927
Turning circle [mm]		1700
Max. load capacity[kg]		120
Weight [kg]		630
In stock		✓
Material no.		10021382

Accessories

Product	Description	In stock	Material no.
Monteq S mounting aid	For fast, easy, safe, and accurate centroteX S clamping device set-up	✓	10015378
Monteq M mounting aid	For fast, easy, safe, and accurate centroteX M clamping device set-up	✓	10000647
Monteq holder S	For the storage of Monteq S mounting aid	✓	10023959
Monteq holder M	For the storage of Monteq M mounting aid	✓	10023732
Cart	With push bar for transport of half-size Euro pallets, load capacity: 750 kg	✓	10023270
Pallet	Half-size euro pallet with two rails for fastening of the clamping device holder, dim.: 600 x 800 x 170 mm	✓	10021383
Clamping device holder	For storage and transport of a clamping device with centroteX flange on a pallet	✓	10021384
Frames	Made of aluminum for half-size Euro pallets, dim.: 600 x 800 x 200 mm	✓	10023268
Cover	Made of plastic for half-size Euro pallets, dim.: 600 x 800 mm	✓	10023269
Handling Line Starter Set	Incl. 1x Pallet, 2x Clamping device holder, 2x Collars, 1x Cover	✓	10023678

Interested?

Contact us for more details:
Phone +49 7144.907-333 or sales@hainbuch.de

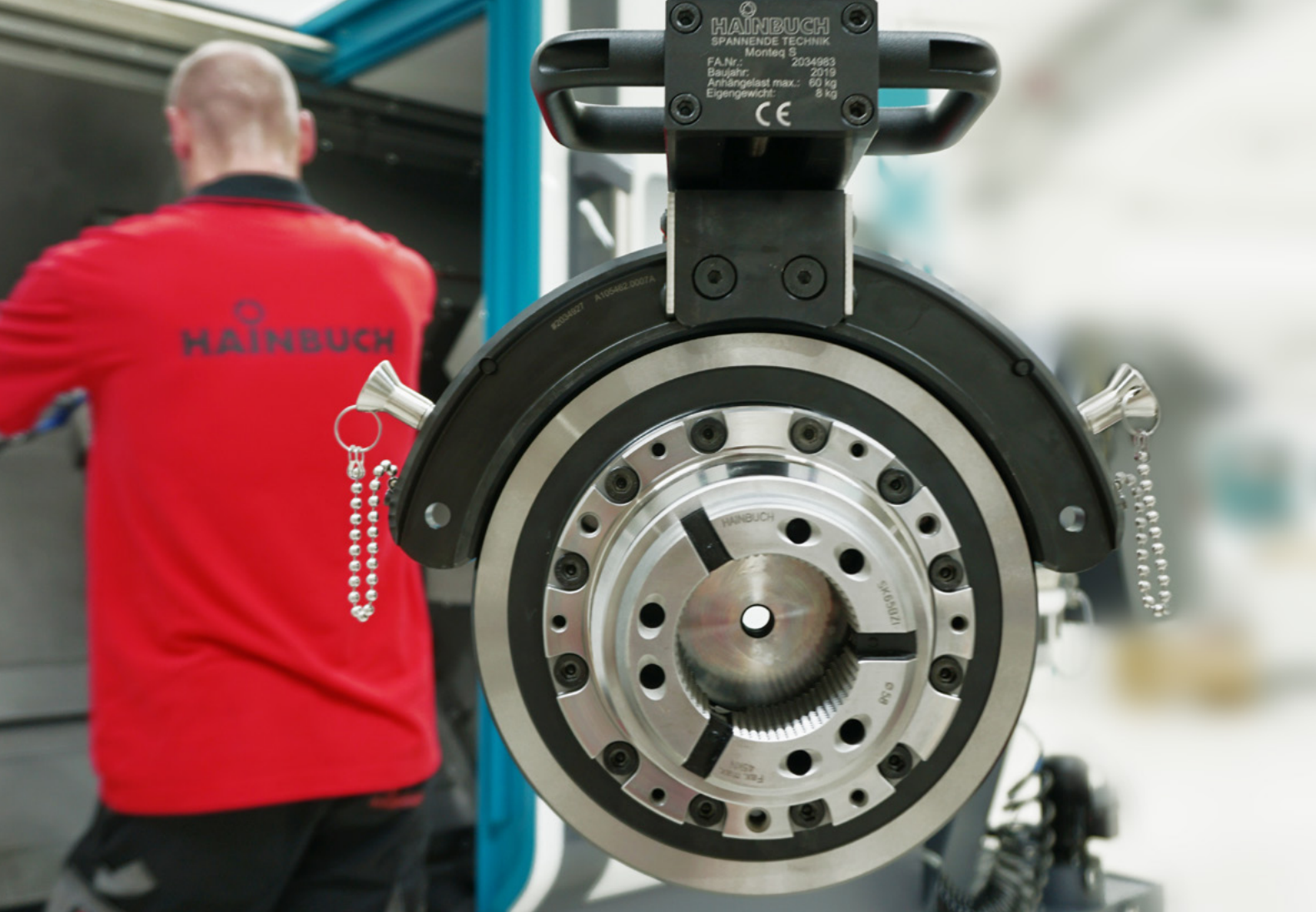
500/02.24 part no. 50000668 Subject to changes.



HANDLING LINE

Easy storage, transport and set-up of clamping devices

- Clamping devices are protected thanks to clean storage
- Clamping devices are always ready for the next task
- Flexible use on different machines
- Enables set-up even without a gantry crane



CLAMPING DEVICE HANDLING PERFECTLY TUNED



Efficient & clever – that's how a production process should be from start to finish. Providing »only« an outstanding clamping device is therefore not always enough.

With the HAINBUCH Handling Line you can set-up the right clamping device on your machine quickly and easily – and you can safely and securely stow away any clamping device you don't need.

Specifically, this means: store the clamping devices properly and clean on the pallet with the special clamping device holders, frames and the cover – this prevents soiling and the clamping devices retain their accuracy. Transport it on the pallet with the cart or the set-up hoist to the machine and set it up easily and back-friendly with the with the set-up hoist – without the need for a gantry crane.

This ensures a high durability of the clamping devices, a flexible use, facilitates the working method and saves time and thus also costs.

Your benefit

- Maintaining precision through clean storage
- Efficient and fast provision of the clamping devices
- Gentle operation thanks to lifting and mounting aid

Products of the Handling Line:

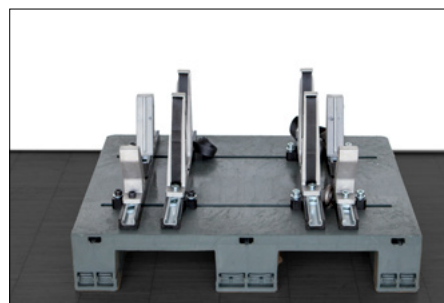
- Pallet system with pallet, frames and cover
- Cart
- Set-up hoist
- Monteq mounting aid

STORAGE

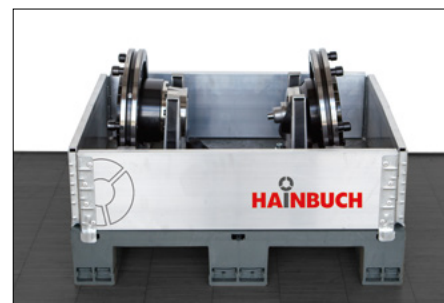
CLAMPING DEVICES STORED
SAFELY AND SECURELY



... with the pallet system



Pallet with holders for clamping devices



including frames



including cover

TRANSPORT

EFFICIENT MOVING OF CLAMPING
DEVICES FROM A TO B



... with the cart or the set-up hoist



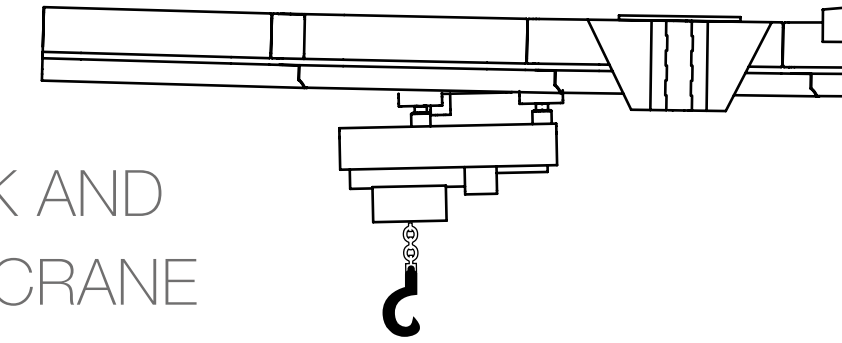
Remove clamping devices in pallet system from storage



Move the clamping device securely to the machine

SET-UP

EASY ON THE BACK AND
WITHOUT GANTRY CRANE



... with the set-up hoist



All required clamping devices can be placed on the storage surface of the set-up hoist. A surface half the size of a Euro-pallet is available for storage.

- ➔ All clamping devices are then within easy reach during the set-up process



The set-up hoist with the clamping devices is positioned next to the machine. This might be machine A today and machine B tomorrow.

- ➔ Designed for flexible use on different machines



Positioning of the set-up hoist in front of the machine. The swivel arm is extended without the clamping device to determine the perfect position.

- ➔ Swivel arm is more flexible than a gantry crane from above – ideal for hard-to-reach spindles



After lowering the set-up hoist, integrated safety prompts ensure a stable position and give the go-ahead for the actual set-up process.

- ➔ No additional securing of the set-up hoist is necessary



With the swivel arm, pick up the clamping device from the storage surface, position on the spindle and mount

- ➔ Reduce set-up times